




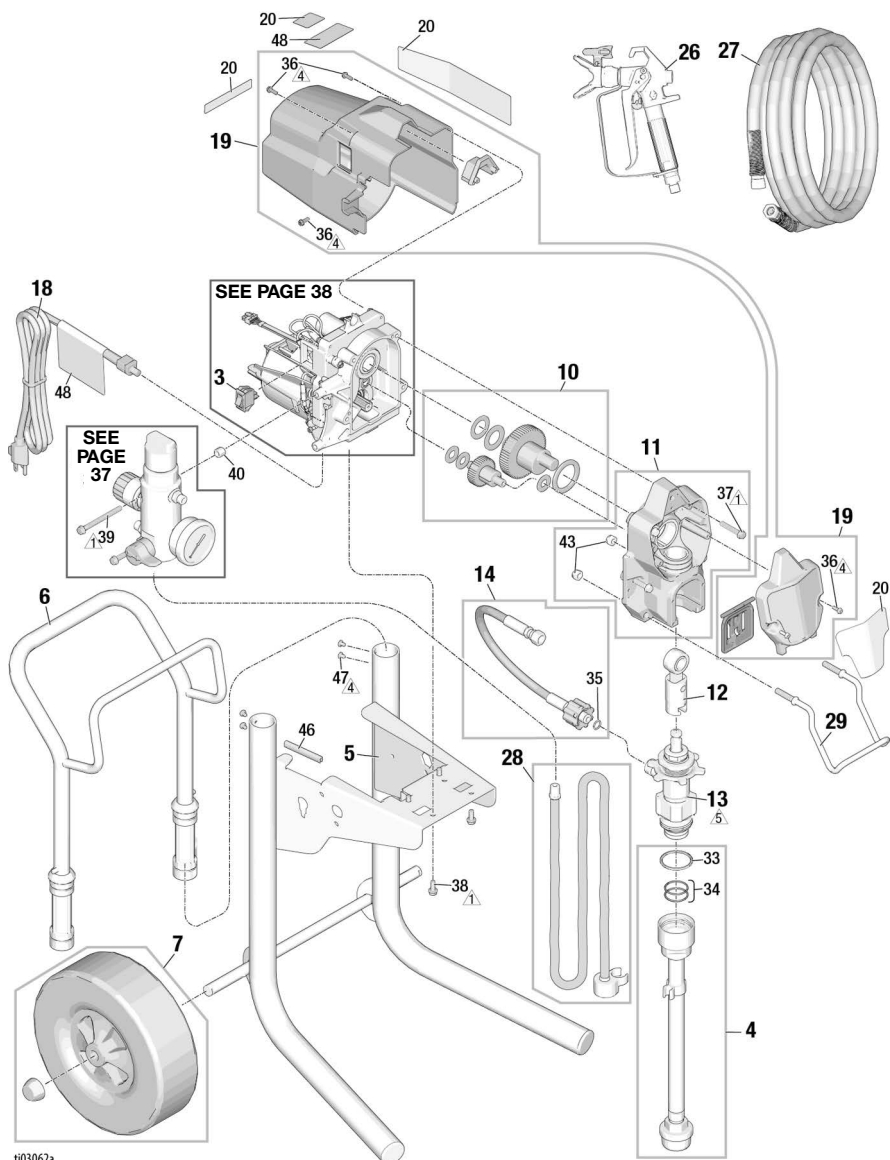


# 390 Hi-Cart Sprayers Parts

## 390 Hi-Cart Sprayers Parts



Ref.	Torque
	140-160 in-lb (15.8 - 18.1 N•m)
	23-27 in-lb (2.6 - 3.1 N•m)

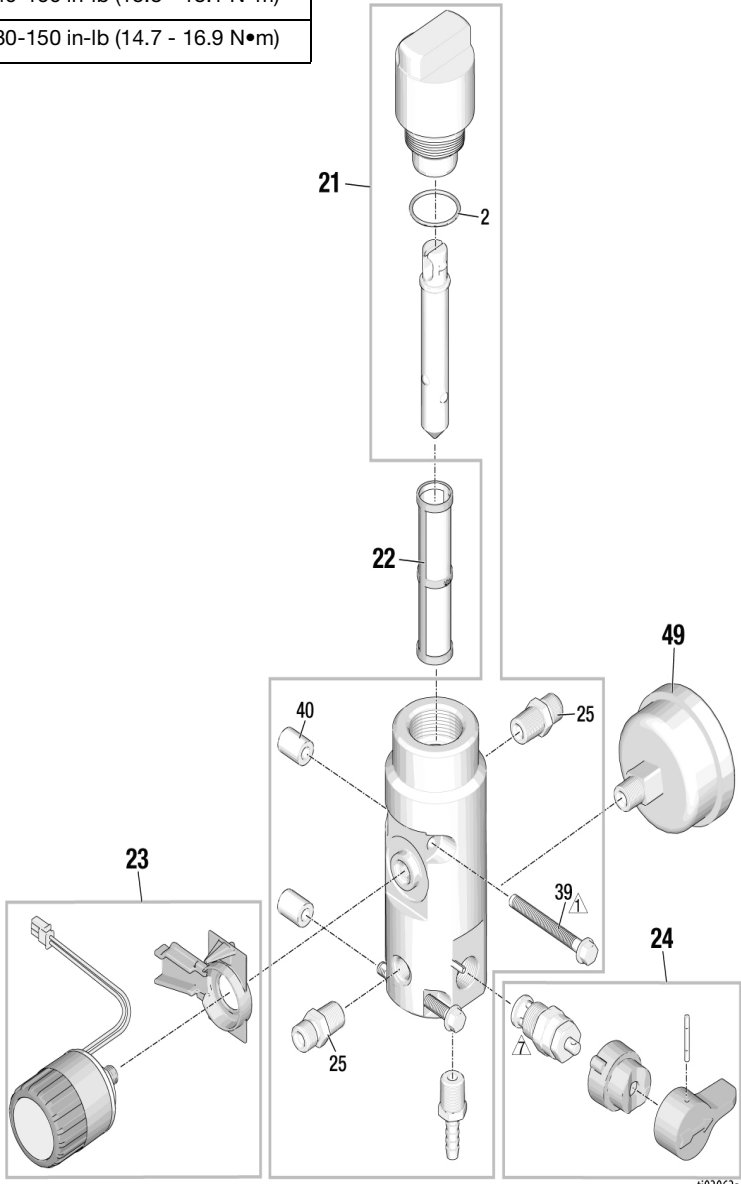
Ref.	Torque
	65-75 ft-lb (88 - 102 N•m)



t103062a

# Filter


Ref.	Torque
	140-160 in-lb (15.8 - 18.1 N•m)
	130-150 in-lb (14.7 - 16.9 N•m)

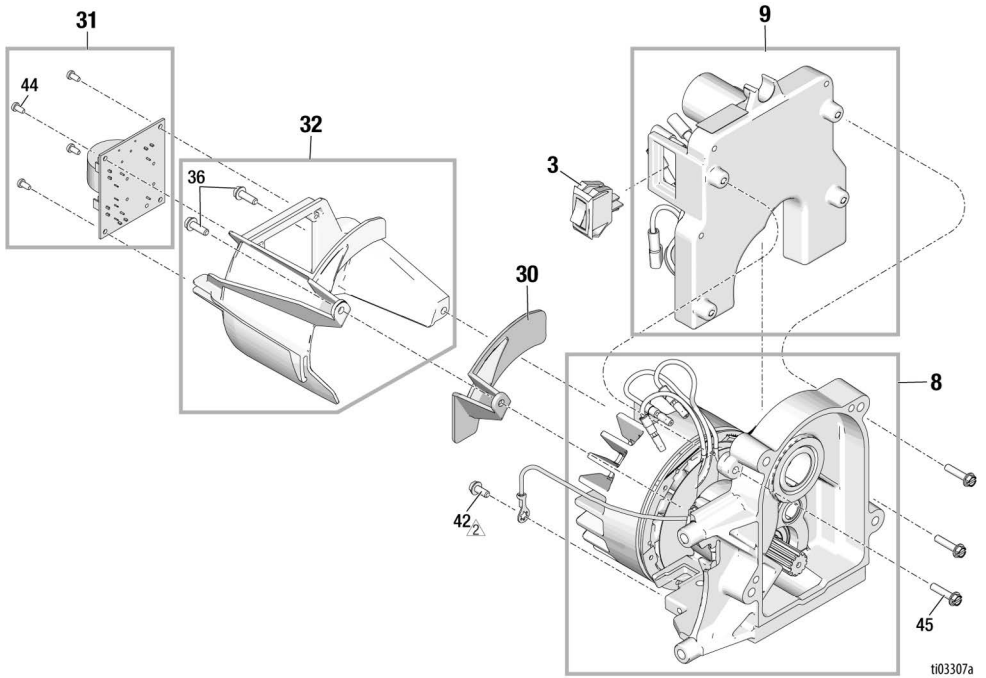


t03063a

# Motor

## Motor

Ref.	Torque
	30-35 in-lb (3.4 - 4.0 N•m)



## 390 Parts List

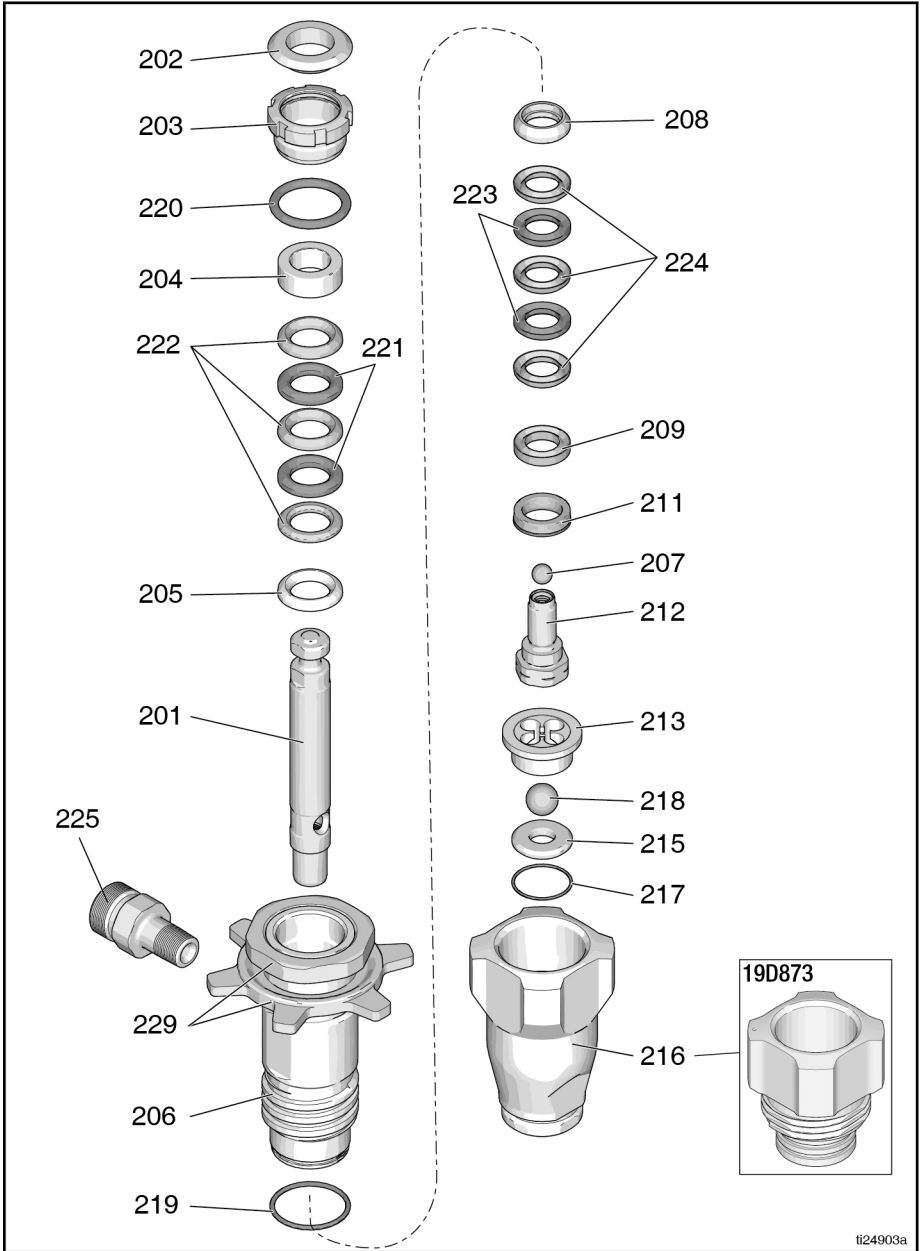
Ref.	Order Part No.	Description
1	2008850	Handle Kit
2	117828	PTFE Encapsulated O-Ring
3	116255	Power Switch Replacement
4	2008854	Hi-Cart Suction Hose Kit
5	2007765	Hi-Cart Frame
6	287489	Hi-Cart Handle
7	2008852	Wheel and Hub Kit (1 Wheel)
8	2008224	120V Brushless Motor Kit
	2008225	240V Brushless Motor Kit
9	2007952	120V Control Assembly, 390
	2007955	240V Control Assembly, 390
10	2008839	Gears Kit
11	24W817	Drive Housing Kit
12	24W640	Connecting Rod Kit
13	19D873	Pump Kit Domestic
	20B348	Pump Kit EMEA
14	24W830	Pump Hose Kit
15	2008838	Stand Frame Kit
16	20B438	Suction Hose Kit
17	2008863	Drain Line Kit (Stand)
18	2008845	Power Cord Kit, US
	2008846	Power Cord Kit, Japan/TW
	2008847	Power Cord Kit, EMEA
	2008848	Power Cord Kit, ANZ/Korea
	2008849	Power Cord Kit, UK
19	2008851	390 Shroud Kit
20	2008861	Branding, Labels Kit, Ultra
	2008862	Branding, Labels Kit, Ultimate
21	2008841	390 Filter Manifold Kit
	2008842	390 Filter Manifold Kit with Gauge
22	246384	60 Mesh Manifold Filter Kit
	246425	30 Mesh Manifold Filter Kit
	246382	100 Mesh Manifold Filter Kit
23	2008843	Pressure Control Kit
24	235014	Drain Valve Kit
25	162453	1/4" NPT x 1/4" NPSM Fitting
26		FTX Gun Kit with LP517
27		1/4" x 50' Paint Hose
28	2008864	Hi-Cart Drain Line Kit

Ref.	Order Part No.	Description
29	2001457	Pail Hanger
30	2008858	Wire Guard Kit (Domestic 390 only)
31	2008856	120V Filter Board Kit (if applicable)
	2008857	240V Filter Board Kit (if applicable)
32	2008855	Filter Board Shroud Kit (if applicable)
33	117117	Pump O-Ring
34	16N901	Pump O-Ring
35	16H137	Pump Hose O-Ring
36	2001659	#8-32 x 0.5" Hex Wsh Hd Thd Form Screw
37	117493	1/4-20 x 1.5" Hex Wsh Hd Thd Form Screw
38	112774	1/4-20 x 0.625" Hex Wsh Hd Thd Form Screw
39	2008500	1/4-20 x 3" Hex Wsh Hd Thd Form Screw
40	17D294	Manifold Spacers
41	19D260	1/4-20 x 1.5" Pan Hd Thd Form Screw
42	115498	#8-32 x 0.375" Hex Wsh Hd Thd Form Screw
43	111040	5/16-18 Lock Nut
44	115522	#4-20 x 0.25" Plastic Thd Form Screw
45	127914	#8-32 x 0.75" Hex Hd Thd Form Screw
46	20B541	Edge Guard
47	109032	#10-32 x 0.25" Pan Hd Thd Form Screw
48▲	19D674	Warning Label, US/NA
	16D675	Warning Label, ANZ/Korea
	19D677	Warning Label, Japan/TW
	16G596	Warning Label, EMEA/UK
49	115523	Pressure Gauge
▲	222385	Medical Alert Card, US, CE, and UK models (not shown)
	17A134	Medical Alert Card, ANZ/KOR models (not shown)
	26A998	Medical Alert Card, Japan/Taiwan models (not shown)

▲ Replacement safety labels, tags, and cards are available at no cost.

## Parts

Models 17C487, 17C488, 17C489, 17C721, 17M992, 24Z731, 19D873



i124903a

## Parts List

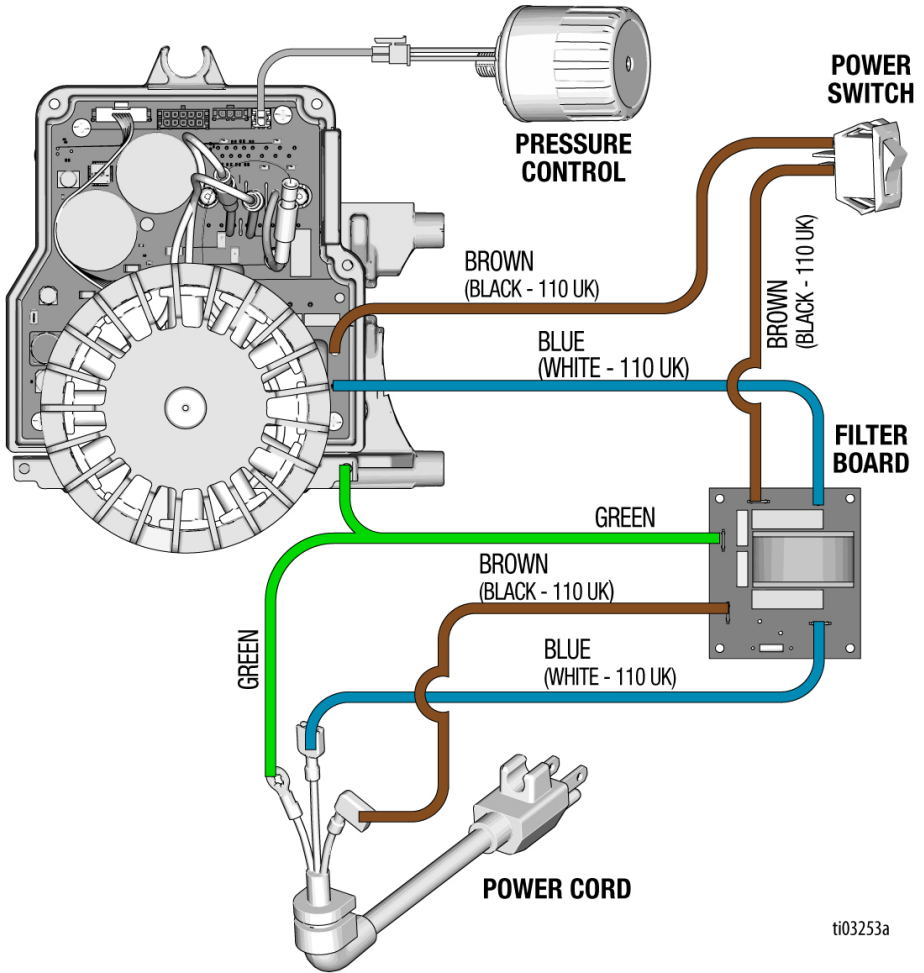
## Models 17C487, 17C488, 17C489, 17C721, 17M992, 24Z731, 19D873

Ref.	Part	Description	Qty.	Ref.	Part	Description	Qty.
201		ROD, displacement, <i>includes 212</i>	1	15B611	Models: 17C487, 17C488, 17C489, 17C721, 17M992, 24Z731		
	24W617	Models: 17C487, 17C488, 17C489, 17C721, 17M992, 24Z731		19D287	Models: 19D873		
	2004762	Model: 19D873		217*❖	15B112	PACKING, o-ring (0.941 in. OD)	1
202*	180656	BUTTON, plug	1	218*❖	105444	BALL, sst, 0.5000 in.	1
203	193047	NUT, packing	1	219*	17V093	PACKING, o-ring	1
204*	176757	GLAND, female, throat	1	220*	160516	O-RING	1
205*	176754	GLAND, male throat	1	221*	176755	V-PACKING, leather, throat	2
206		CYLINDER, pump <i>includes 219, 229</i>	1	222*	192710	V-PACKING, throat, V-Max™ UHMWPE, blue	3
	24W619	Models: 17C487, 17C488, 17C489, 17C721, 17M992, 24Z731		223*	176749	V-PACKING, leather, piston	2
	2004756	Model: 19D873		224*	192712	V-PACKING, piston, V-Max™ UHMWPE, blue	3
207*	105444	BALL, sst, 0.3125 in.	1	225	17C231	FITTING, pump, QD, 1/4 npt	1
208*	195129	GLAND, male piston	1			Models: 17C487, 17C488, 17C489, 17C721	
209*	180073	GLAND, female, pis- ton	1	162453	FITTING, 1/4 npt	Model 17M992	1
211*	15G234	GUIDE, piston	1	229	NUTS, retaining, not sold separately		
212	239937	VALVE, piston (included with 201)	1				
213*❖	15C011	GUIDE, ball	1				
215*❖	246429	KIT, seat, carbide <i>includes 213, 217 and 218</i>	1				
216		VALVE, intake housing	1				

\* - Also included in Kit 18B260 (formerly part number 244194)

❖ - Also included in Kit 246429

240V / 110V UK



ti03253a